



“Whatever you do, work at it with all your heart”

*Colossians 3:23*

# Electricity

Year 6  
Summer Term  
1

## Key Knowledge:

There are recognised symbols for cells, wires, bulbs, switches and buzzers which are used when drawing a simple circuit diagram.

The brightness of a lamp or the volume of a buzzer with is linked to voltage (the number of cells) in the circuit.

The more bulbs/buzzers in a simple circuit the less bright/loud each will be.

A switch works by breaking and making a circuit.

The term voltage refers to a force.

The term current refers to the number of electrons.

### Key Vocabulary:

**Simple Circuit:** A simple circuit is a circuit in which there is only one route for the current to flow through.

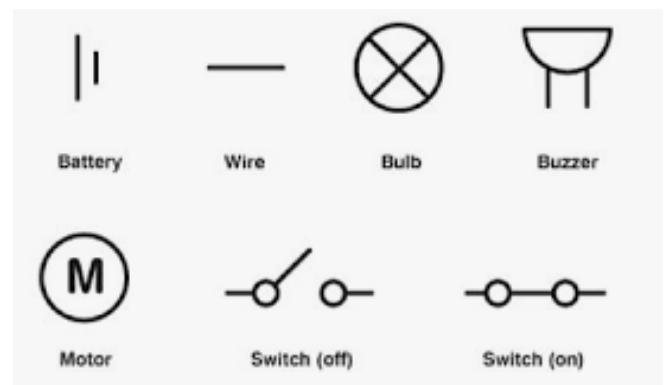
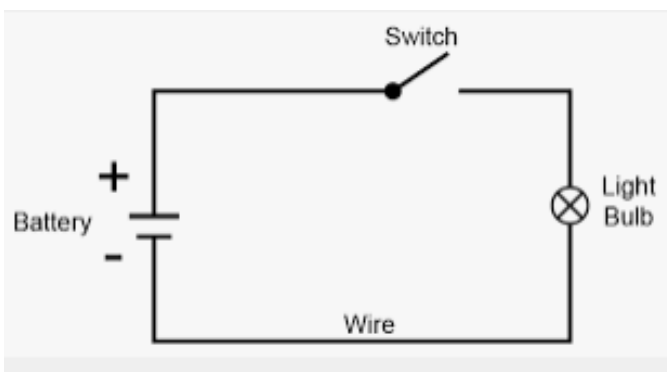
**Voltage: (V)**– The ‘push’ (force) that makes the electrons move through the wire. This comes from the battery.

**Current: (A)**– The number of electrons that are moving around the wires with a certain amount of energy.

**Electrons:** a negatively charged particle.

**Circuit Diagram:** The scientific way of drawing a circuit which uses recognised symbols for the components. See the examples underneath.

### Simple Circuit Diagram



### Key People / Dates/ Phrases:

Electricity was first noticed as early as 2750BC in electric eels.

Around 600BC electricity in some form started to be used by humans.

1879—The first time electricity was sold by a company.